

---

SPECIFICATION DATA

# Cosmopolitan® Series

---



# Table of Contents

---

## Cosmopolitan®

Previously Named: Cosmopolitan Electrol®

## Cosmopolitan (Over 12' W)

Previously Named: Large Cosmopolitan Electrol

**SUGGESTED SPECIFICATIONS:** \_\_\_\_\_ projection screen(s), \_\_\_\_\_ (H) x \_\_\_\_\_ (W), electrically operated 120 volt (60 Hz) not more than 2.4 amp. Shall have specially designed motor mounted inside the roller, to be three wire with ground quick reversal type, oiled for life, with automatic thermal overload cut-out, integral gears, capacitor and an electric brake to prevent coasting. To have pre-set but adjustable limit switches to automatically stop picture surface in the "up" and "down" positions. The roller to be of rigid metal. Screen fabric to be flame retardant and mildew resistant fiberglass with

black masking borders standard. Bottom of fabric shall be formed into a pocket holding a metal rod. Case to be powder coated white 21-gauge steel, hexagon in shape with flat back to prevent scraping fabric. Case end caps to be heavy duty, allowing no exposed roller pins. End caps shall form sturdy brackets for wall or ceiling installation. To be complete with three position control switch with cover plate. Screen to be listed by Underwriters' Laboratories.



### HDTV (16:9) Format Dimensions (2" Standard Black Drop At Top)

Viewing Area (H x W)		Nominal Diagonal		A - Overall Length of Case		B - Between Hanger Eyes		Approx. Ship. Wt.	
In.	Cm	In.	Cm	In.	Cm	In.	Cm	Lbs.	Kg
45" x 80"	114 x 203	92"	234	92"	234	90½"	230	48	21.8
52" x 92"	132 x 234	106"	269	104"	264	102½"	260	51	23.1
54" x 96"	137 x 244	110"	279	108"	274	106½"	271	53	24.0
58" x 104"	147 x 264	119"	302	116"	295	114½"	291	56	25.4
65" x 116"	165 x 295	133"	338	128"	325	126½"	321	65	29.5
78" x 139"	198 x 353	159"	404	152"	386	150½"	382	85	38.6

### Wide (16:10) Format Dimensions (2" Standard Black Drop At Top)

Viewing Area (H x W)		Nominal Diagonal		A - Overall Length of Case		B - Between Hanger Eyes		Approx. Ship. Wt.	
In.	Cm	In.	Cm	In.	Cm	In.	Cm	Lbs.	Kg
50" x 80"	127 x 203	94"	239	92"	234	90½"	230	48	21.8
57½" x 92"	146 x 234	109"	277	104"	264	102½"	260	51	23.1
60" x 96"	152 x 244	113"	287	108"	274	106½"	271	53	24.0
65" x 104"	165 x 264	123"	312	116"	295	114½"	291	60	27.2
69" x 110"	175 x 279	130"	330	122"	310	120½"	306	61	27.7
72½" x 116"	184 x 295	137"	348	128"	325	126½"	321	65	29.5
87" x 139"	221 x 353	164"	417	152"	386	150½"	382	85	38.6

### Video (NTSC 4:3) Format Dimensions (2" Standard Black Drop At Top)

Viewing Area (H x W)		Nominal Diagonal		A - Overall Length of Case		B - Between Hanger Eyes		Approx. Ship. Wt.	
In.	Cm	In.	Cm	In.	Cm	In.	Cm	Lbs.	Kg
43" x 57"	109 x 145	72"	183	68"	173	66½"	169	37	16.8
50" x 67"	127 x 170	84"	213	78"	198	76½"	194	41	18.6
60" x 80"	152 x 203	100"	254	92"	234	90½"	230	48	21.8
69" x 92"	175 x 234	120"	305	104"	264	102½"	260	52	23.6
87" x 116"	221 x 295	150"	381	128"	325	126½"	321	75	34.0
105" x 140"	267 x 356	180"	457	152"	386	150½"	382	92	41.7

### Square Format Dimensions

Sizes (H x W)		A - Overall Length of Case		B - Between Hanger Eyes		Approx. Ship. Wt.	
In.	Cm	In.	Cm	In.	Cm	Lbs.	Kg
60" x 60"	152 x 152	68"	172	66½"	169	38	17.2
70" x 70"	178 x 178	78"	198	76½"	194	41	18.6
84" x 84"	213 x 213	92"	234	90½"	230	49	22.2
8' x 8'	244 x 244	104"	264	102½"	260	55	25.0
9' x 9"	274 x 274	116"	295	114½"	291	62	28.1
10' x 10"	305 x 305	128"	325	126½"	321	78	35.4

\*Includes 2" Standard Black Drop

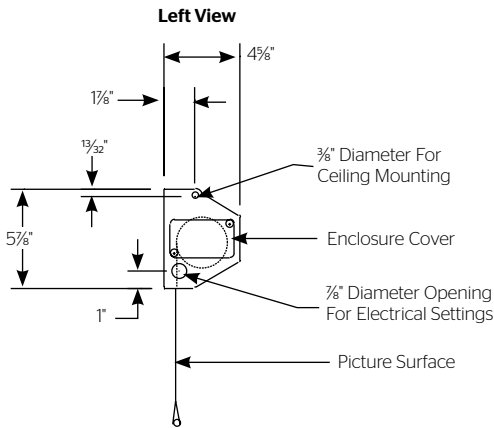
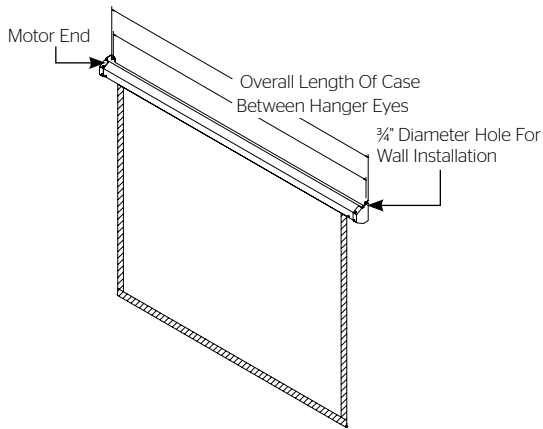
**PRODUCT NOTES**

- **Matte White:** Horizontal seam required when both dimensions exceed 10'.
- **High Contrast Matte White:** Available in sizes where both dimensions do not exceed 8'.
- Overall case length dimensions +/- 1/4" (6mm).
- Specifications subject to change without notice.
- Custom formats and sizes available upon request.

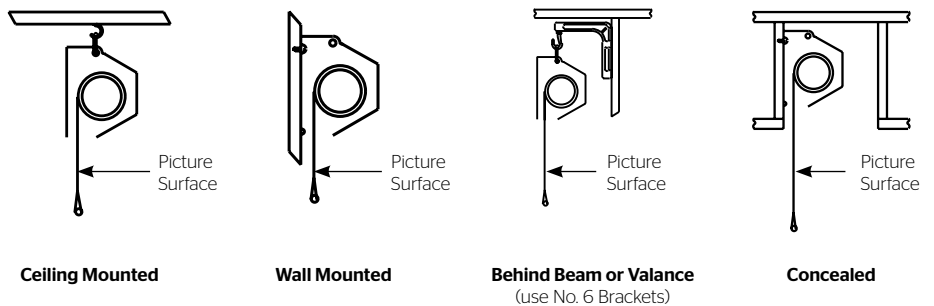
**WHEN ORDERING, MARK APPROPRIATE SELECTIONS:**

1. Select size from charts on the other side.
2. Select viewing surface (All Da-Lite surfaces are GREENGUARD GOLD Certified):  
 Matte White  
 High Contrast Matte White
3. Options:  
 Extra drop available to lower picture area more than normal. Specify total drop at top \_\_\_\_ (black or white) or at bottom \_\_\_\_ (black or white). 13' maximum total surface height including picture area.  
 No borders (Black masking borders standard)  
 Single Motor Low Voltage Control (LVC) - built-in  
 Silent Motor (available on sizes up to 10' x 10')  
 Silent Motor with Integrated LVC (on sizes up to 10' x 10')  
 Key Operated Switch for 120 V only (Note: Cannot be used with LVC)  
 220 Volt (50 Hz) Motor  
 Video Projector Interface Control - built-in (120V motor only)  
 Black case (white standard)
4. Optional Accessories:  
 Single Motor Low Voltage Control (LVC) - external  
 Wireless Remote Control for LVC  
 Radio Frequency Remote  
 Radio Frequency Range Extender available  
 Infrared Remote  
 Key Locking Cover Plate for 120 V Switch or LVC Switch  
 No. 6 Wall Bracket - 6" non-adjustable extension brackets (140# maximum per pair) (black or white)  
 Ceiling Trim Kit - built-in LVC recommended  
 Video Projector Interface Control - external  
 Floating Mounting Bracket - recommended for drywall installations (black or white)  
 External SCB-100 - RS-232 Serial Control Board  
 NET-100 Ethernet-Serial Adapter

**PRODUCT VIEWS**



**SUGGESTED METHODS OF INSTALLATION**



Project Name: \_\_\_\_\_

Architect: \_\_\_\_\_

Contractor: \_\_\_\_\_ Phone: \_\_\_\_\_

Reseller: \_\_\_\_\_ Phone: \_\_\_\_\_

# Cosmopolitan® (Over 12' W)

Previously Named: Large Cosmopolitan Electrol®



SPECIFICATION DATA

**SUGGESTED SPECIFICATIONS:** \_\_\_\_\_ projection screen(s), \_\_\_\_\_(H) x \_\_\_\_\_(W), electrically operated 120 volt (60 Hz) not more than 2.4 amp. Shall have specially designed motor mounted inside the roller to be three wire with ground quick reversal type, oiled for life, with automatic thermal overload cut-out, integral gears, capacitor and an electric brake to prevent coasting. To have pre-set but adjustable limit switches to automatically stop picture surface in the "up" and "down" positions. The roller

to be of aluminum. Screen fabric to be flame retardant and mildew resistant fiberglass with black masking borders standard. Bottom of fabric shall be formed into a pocket holding a metal rod. Case to be a two-piece design made of extruded aluminum with a white, lightly textured powder coat finish. End caps to be plastic with integrated junction box. To be complete with three position control switch with cover plate. Screen to be listed by Underwriters' Laboratories.



## HDTV (16:9) Format Dimensions (2" Standard Black Drop at Top)

Viewing Area (H x W)		Nominal Diagonal		Overall Length of Case		Approx. Hanging Wt.		Approx. Shipping Wt.	
In.	Cm	In.	Cm	In.	Cm	Lbs.	Kg	Lbs.	Kg
92" x 164"	234 x 417	188"	478	177½"	451	171	77.6	376	170.6
106" x 188"	269 x 478	216"	549	201½"	512	194	88.0	440	199.6

## Wide (16:10) Format Dimensions (2" Standard Black Drop at Top)

Viewing Area (H x W)		Nominal Diagonal		Overall Length of Case		Approx. Hanging Wt.		Approx. Shipping Wt.	
In.	Cm	In.	Cm	In.	Cm	Lbs.	Kg	Lbs.	Kg
100" x 160"	254 x 406	189"	480	173½"	441	170	77.1	371	168.3
110" x 176"	279 x 447	208"	528	189½"	481	186	84.4	417	189.1
117½" x 188"	298 x 478	222"	564	201½"	512	198	89.8	443	200.9

## Video (NTSC 4:3) Format Dimensions (2" Standard Black Drop at Top)

Viewing Area (H x W)		Nominal Diagonal		Overall Length of Case		Approx. Hanging Wt.		Approx. Shipping Wt.	
In.	Cm	In.	Cm	In.	Cm	Lbs.	Kg	Lbs.	Kg
120" x 160"	305 x 406	200"	508	173½"	441	175	79.4	376	170.6
123" x 164"	312 x 417	210"	533	177½"	451	179	81.2	384	174.2
141" x 188"	358 x 478	240"	610	201½"	512	205	93.0	450	204.1

## Square Format Dimensions

Sizes (H x W)		Overall Length of Case		Approx. Hanging Wt.		Approx. Shipping Wt.	
In.	Cm	In.	Cm	Lbs.	Kg	Lbs.	Kg
12' x 12'	366 x 366	153½"	390	163	73.9	350	158.8
14' x 14'	427 x 427	177½"	451	193	87.5	399	181.0
16' x 16'	488 x 488	201½"	512	222	100.7	469	212.7

### PRODUCT NOTES

- **Matte White:** Seamless in all standard sizes.
- **High Contrast Matte White:** Available in sizes where both dimensions do not exceed 8'.
- Overall case length dimensions +/- ¼" (6 mm).
- Detail dimensional drawings, wiring diagrams and installation instructions available upon request.
- Specifications subject to change without notice.
- Custom formats and sizes available upon request.

### WHEN ORDERING, MARK APPROPRIATE SELECTIONS

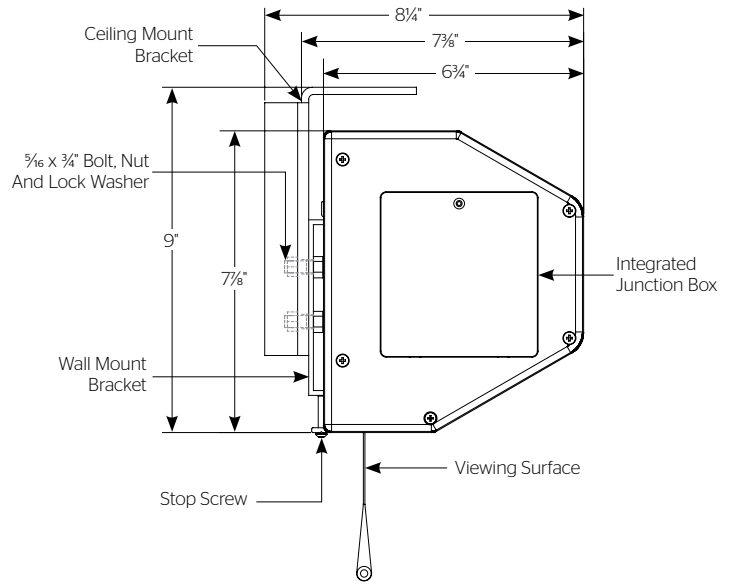
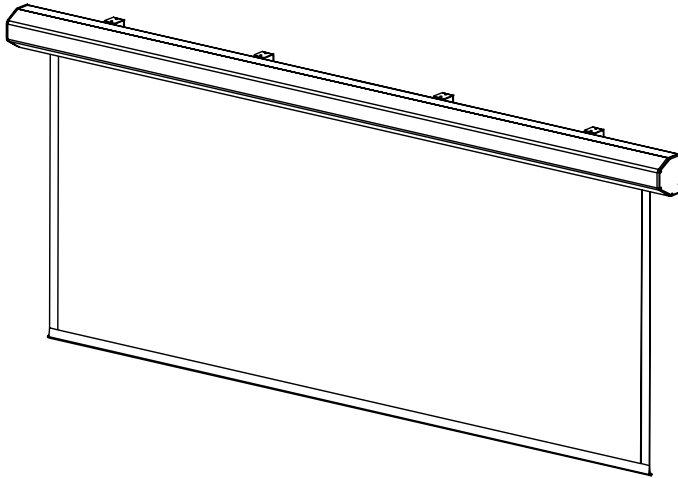
- Select size from charts above.
- Select viewing surface (All Da-Lite surfaces are GREENGUARD GOLD Certified.):
 

Matte White	High Contrast Matte White
-------------	---------------------------
- Options:
 

Extra drop available to lower picture area more than normal. Specify total drop at top ____ (black or white) or at bottom ____ (black or white). 16' maximum total surface height including picture area. No borders (black masking borders standard)	Single Motor Low Voltage Control System (LVC) - built-in 220 Volt (50 Hz) Motor Black case (white standard)
--	---
- Optional accessories:
 

Single Motor Low Voltage Control System (LVC) - external Wireless Remote Control for LVC Radio Frequency Remote Radio Frequency Range Extender available Infrared Remote	Key Operated Switch for 120 V only (Note: Cannot be used with LVC) Video Projector Interface Control - external External SCB-100 - RS-232 Serial Control Board NET100 Ethernet-Serial Adapter
--	--

**PRODUCT VIEWS**



Project Name: \_\_\_\_\_

Architect: \_\_\_\_\_ Phone: \_\_\_\_\_

Contractor: \_\_\_\_\_ Phone: \_\_\_\_\_

Supervisor: \_\_\_\_\_ Phone: \_\_\_\_\_

Supplier: \_\_\_\_\_ Date: \_\_\_\_\_

Revised: \_\_\_\_\_



FOR YOUR IMAGE | [legrandav.com](http://legrandav.com)

USA P 866.977.3901 E [av.da-lite.support@legrand.com](mailto:av.da-lite.support@legrand.com)  
 CANADA P 877.345.4329 E [av.da-lite.support@legrand.com](mailto:av.da-lite.support@legrand.com)  
 EMEA P +31 495 580 840 E [av.emea.sales@legrand.com](mailto:av.emea.sales@legrand.com)  
 APAC P +852 2145 4099 E [av.asia.sales@legrand.com](mailto:av.asia.sales@legrand.com)

© 2020 Legrand AV Inc. 200060 3/20 Da-Lite is a registered trademark of Legrand AV Inc. All other brand names or marks are used for identification purposes and are trademarks of their respective owners. All patents are protected under existing designations. Other patents pending.



**COMMERCIAL BRANDS**

Chief | Da-Lite | Middle Atlantic | Projecta | Vaddio